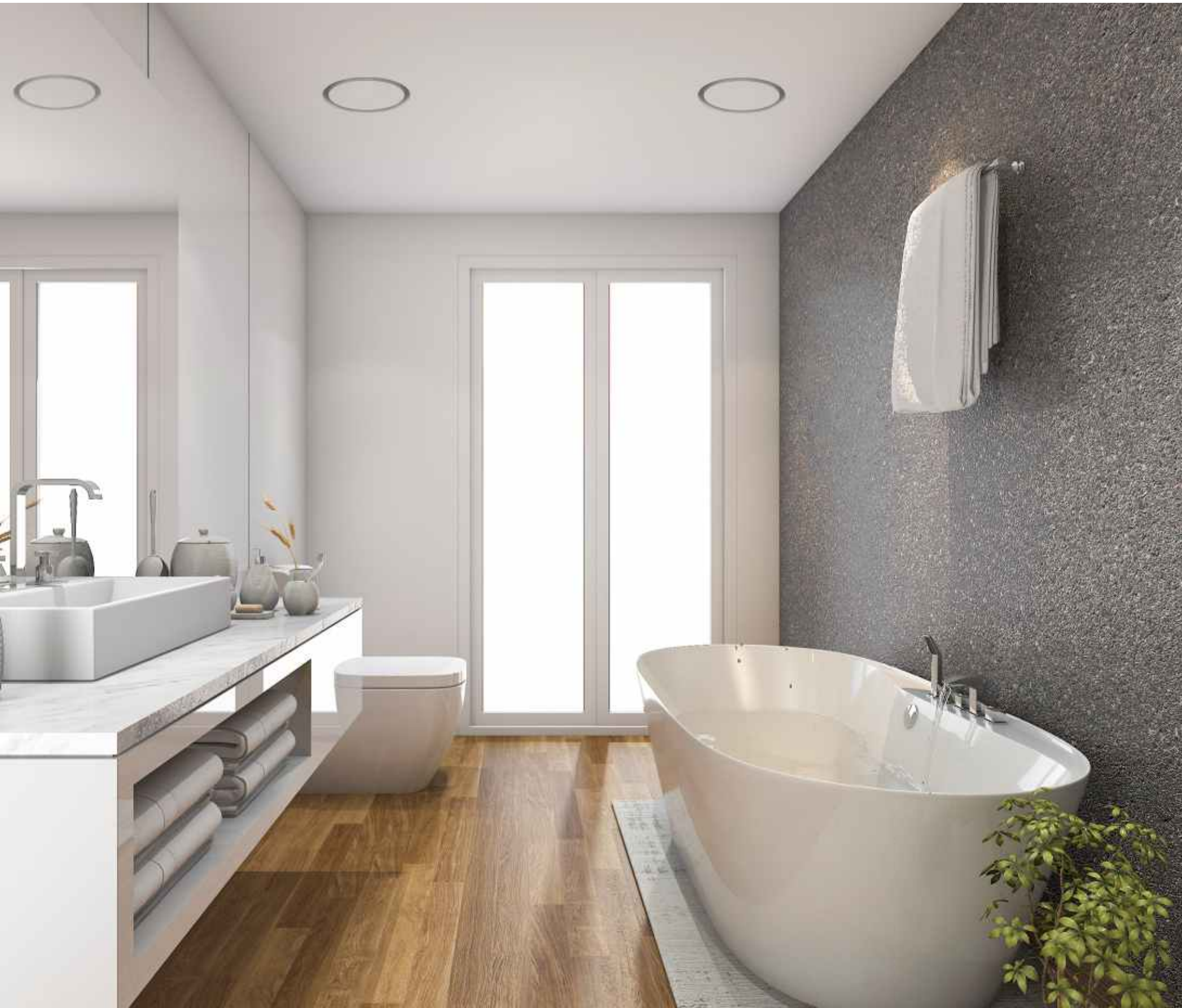
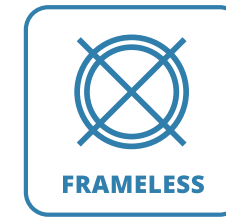




CIRCLE



Frameless CIRCLE diffusers are the most versatile solution for every room and interior design style. It is the most popular choice, stylistically completely non-binding, blending perfectly with the environment.

Like all Ventmann air distributors, products in the CIRCLE line can be plastered together with the wall or the ceiling and can be painted with the same paint as the entire surface. All CIRCLE standard models can be adapted to your needs:

- 100mm or 125mm - these are the smallest standard connection nozzle diameters you can select.
- 160mm - this is the medium diameter of the standard connection nozzle that you can select.
- 200mm or 250mm - these are the largest standard connection nozzle diameters that you can select.

Multiple beautiful, sleek CIRCLE diffusers can be installed in a single room. You can order one of the standard CIRCLE diffuser sizes simply by filling out the order form below.

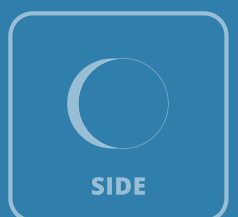
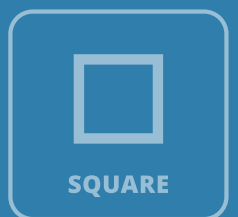
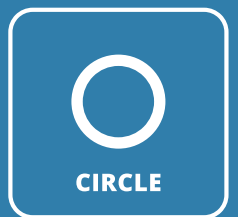
If your market requires specific sizes of CIRCLE diffusers - we can help you.

Fill out the order form below and select a bespoke order. Our consultants will contact you and together we will discuss the fulfilment of your order.

We also invite you to get acquainted in detail with the technical information of CIRCLE model diffuser, which you can do by reading through our catalogue.

Finally, to witness how easy it is to install CIRCLE diffusers, we invite you to watch our product showcase video.

Ventmann - your choice of air elegance.



Installation
Video instructions:
 YouTube



Download a digital
version of the catalog
 Download

CIRCLE 100/125

ROUND DIFFUSER

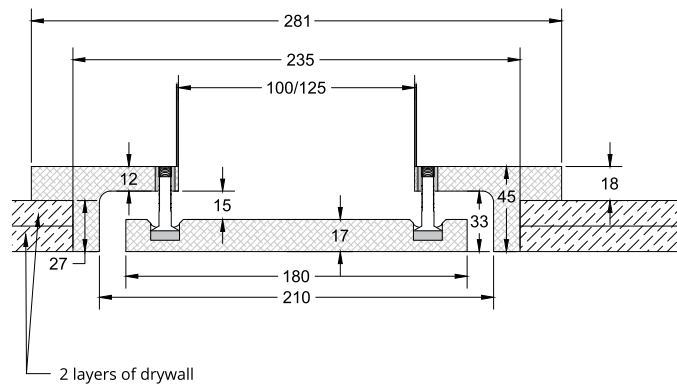
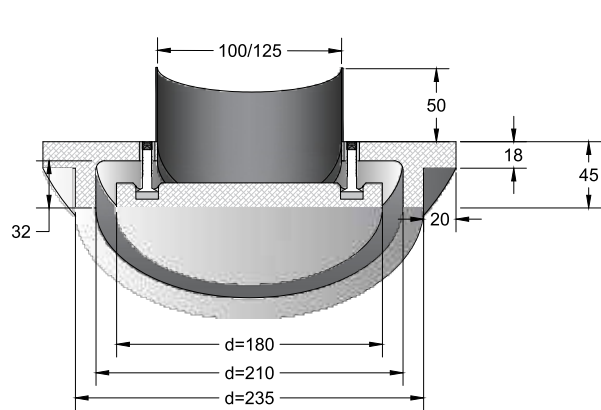


100/125 mm
DIAMETER OF COUPLING SLEEVE

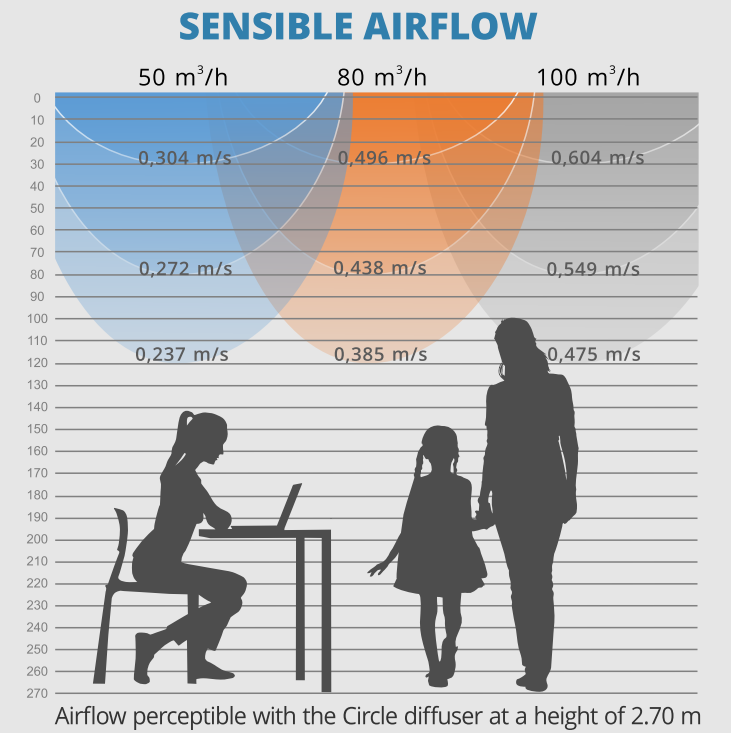
2.60 kg
WEIGHT WITHOUT PACKAGING (NET)

Order code for 100 ø: **CIRCLE 100**
Hole diameter

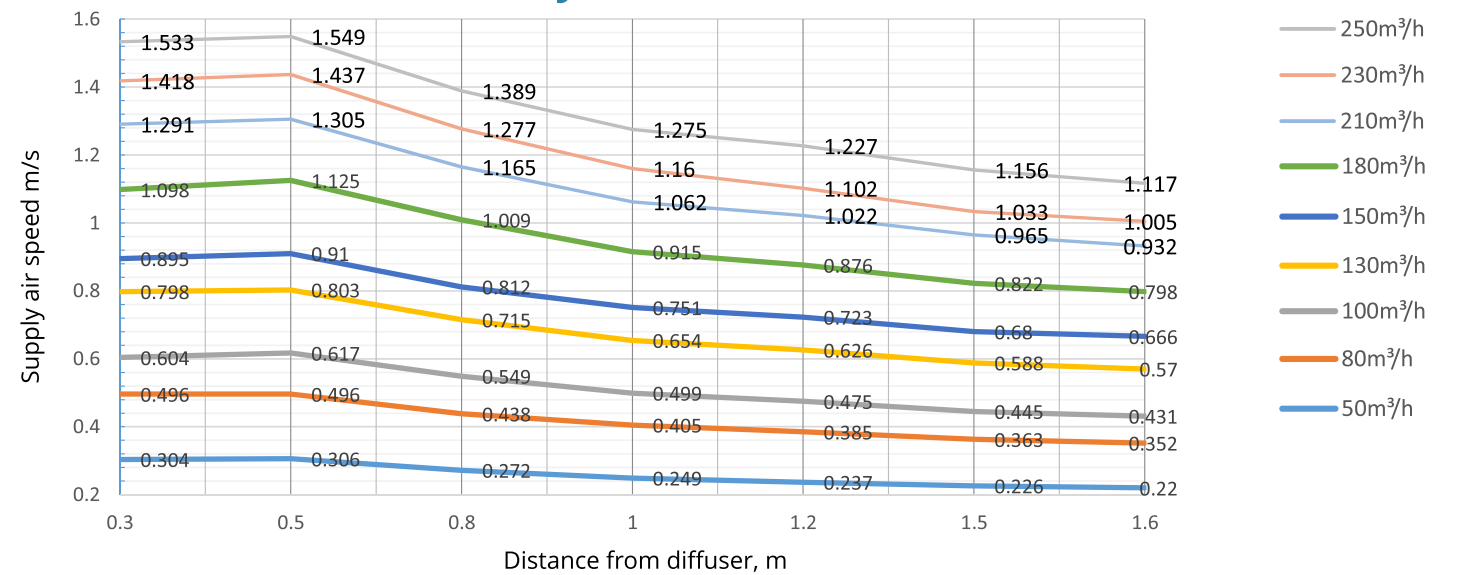
Order code for 125 ø: **CIRCLE 125**
Hole diameter



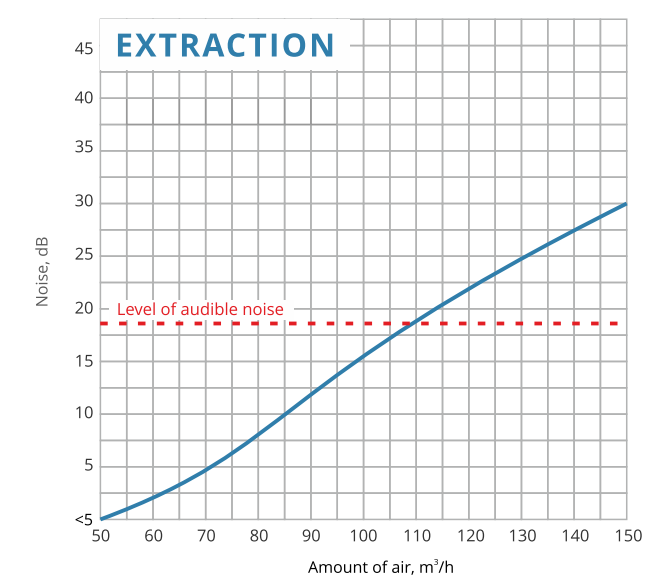
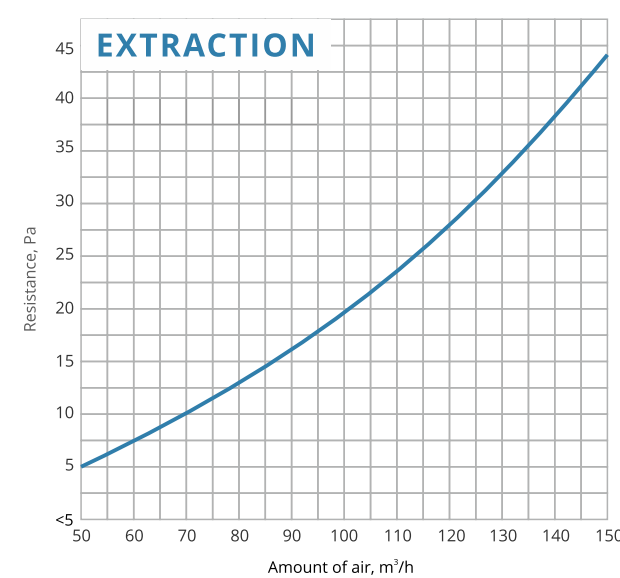
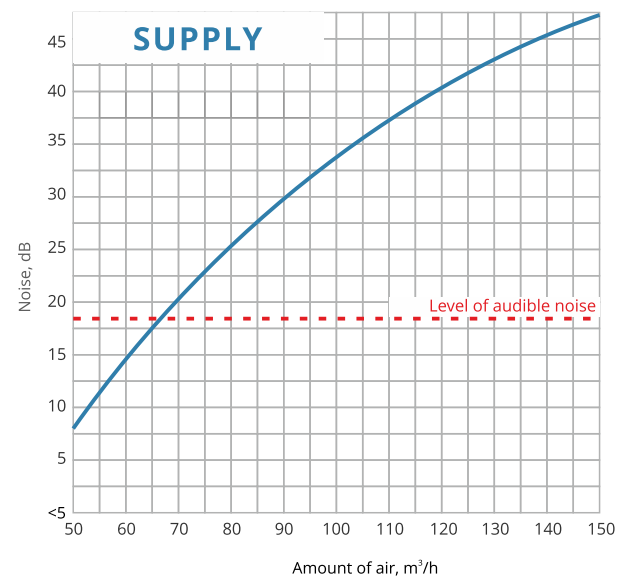
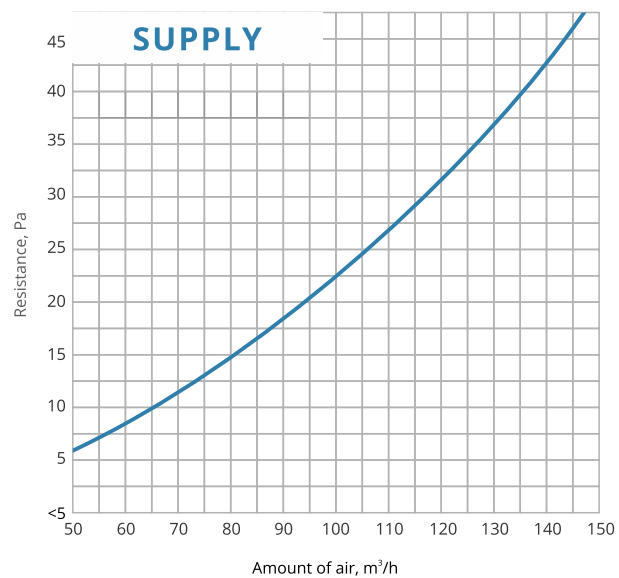
The round slot CIRCLE diffuser is ideally suited to a variety of room sizes. Can be used for both air supply and air extraction.



Air velocity at distance from diffuser



Airborne noise and resistance, 1 m.



CIRCLE 160

ROUND DIFFUSER

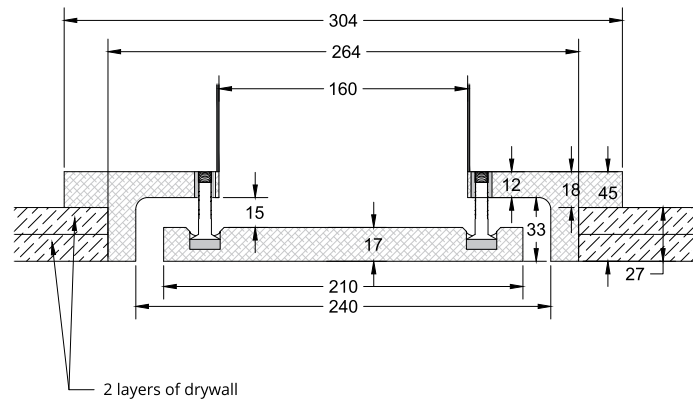
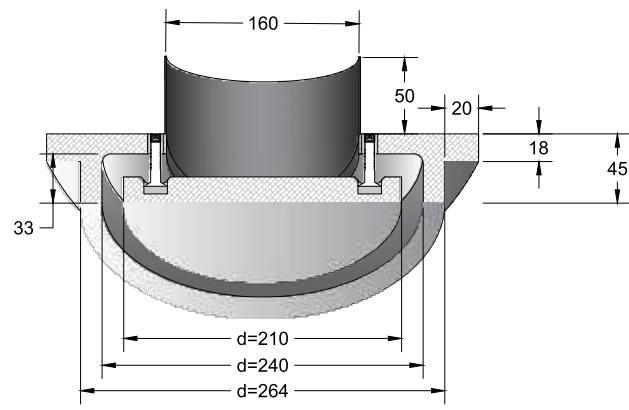


160 mm
DIAMETER OF COUPLING SLEEVE

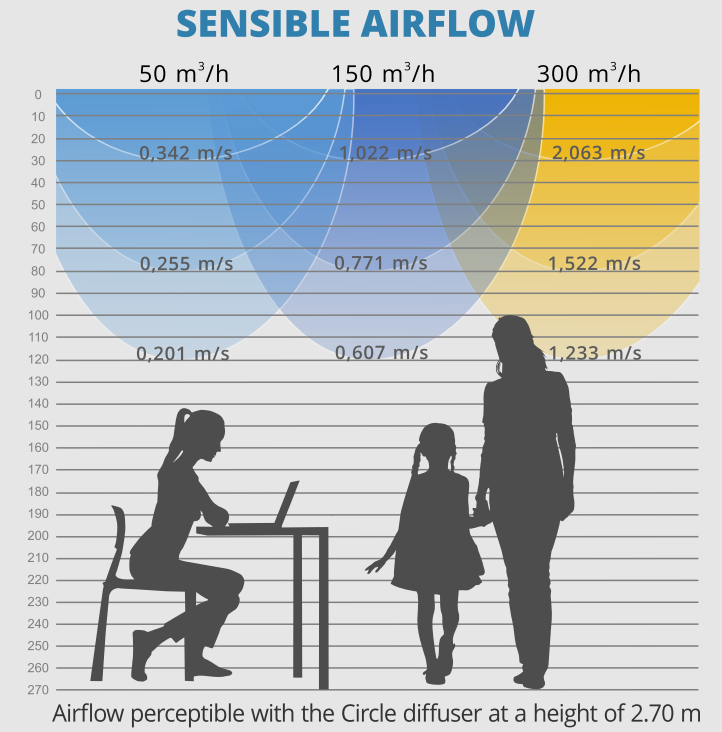
3.20 kg
WEIGHT WITHOUT PACKAGING (NET)

Order code:
CIRCLE 160

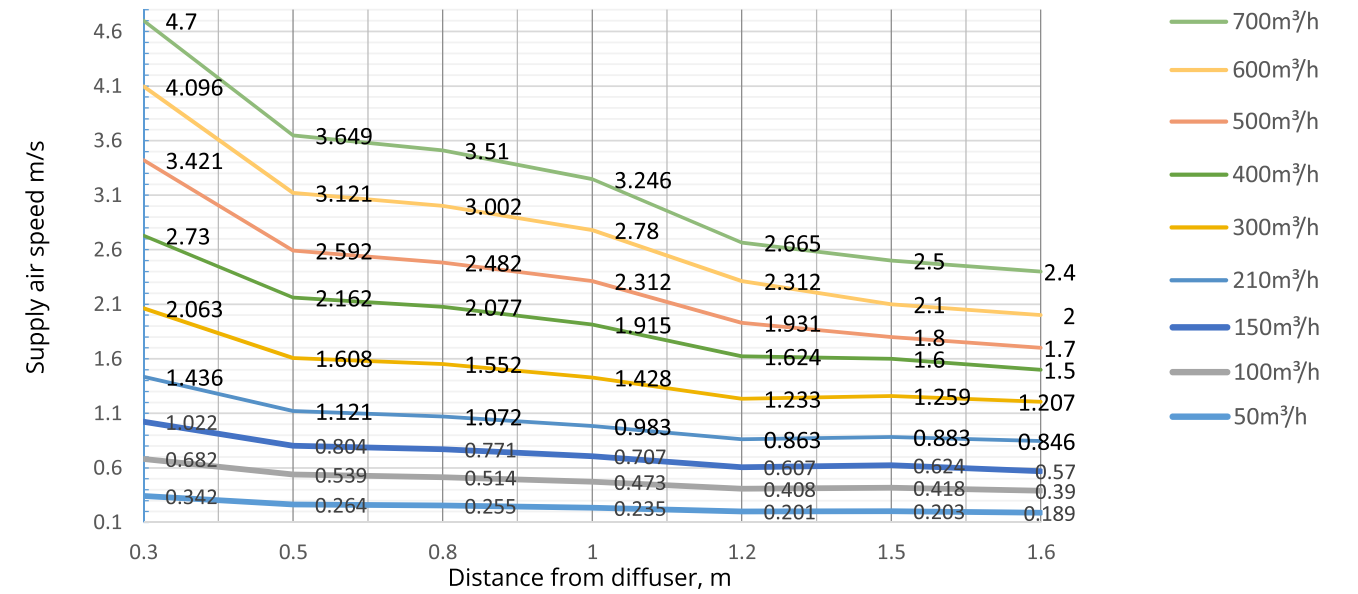
Hole diameter



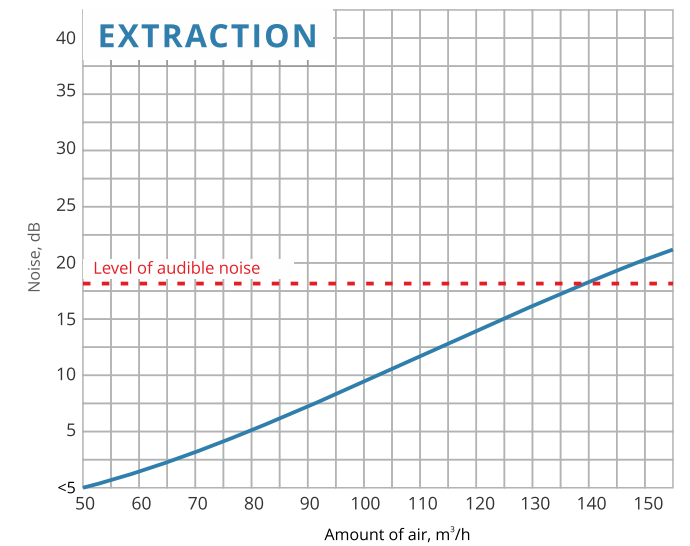
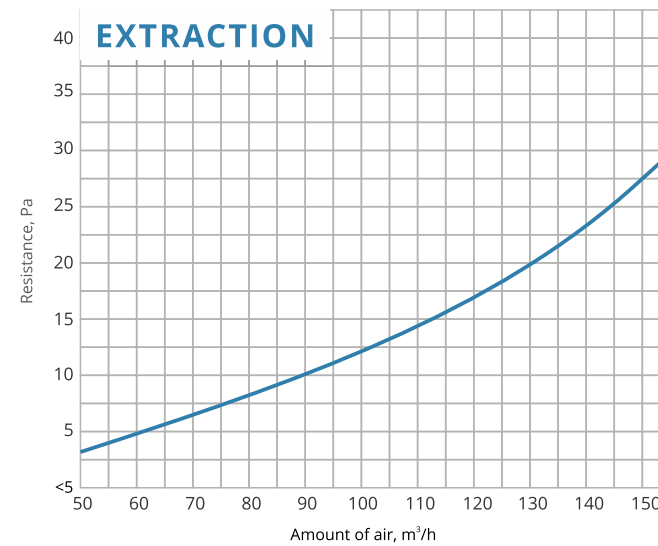
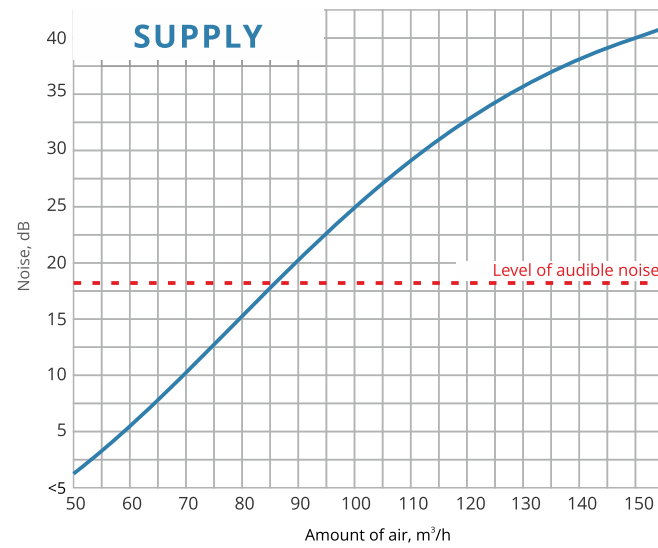
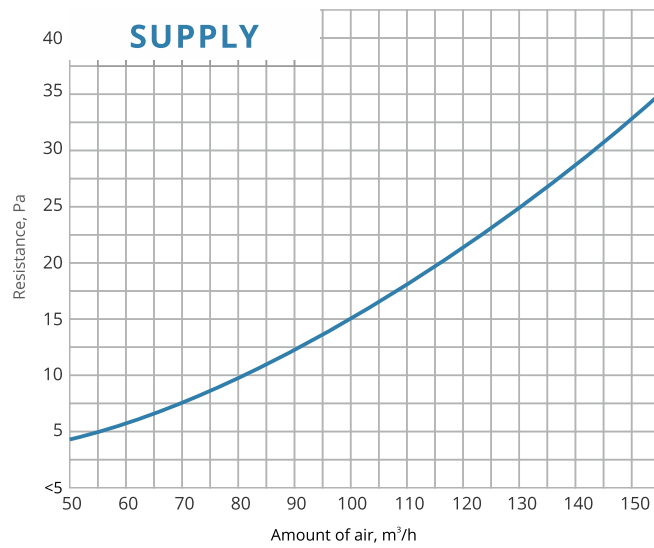
The round slot CIRCLE diffuser is ideally suited to a variety of room sizes. Can be used for both air supply and air extraction.



Air velocity at distance from diffuser



Airborne noise and resistance, 1 m.



CIRCLE 200/250

ROUND DIFFUSER

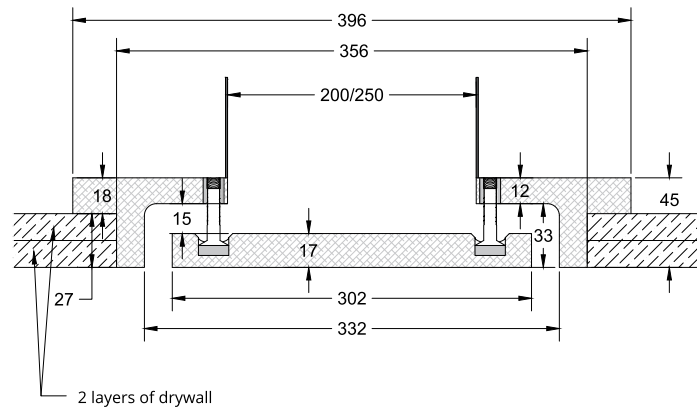
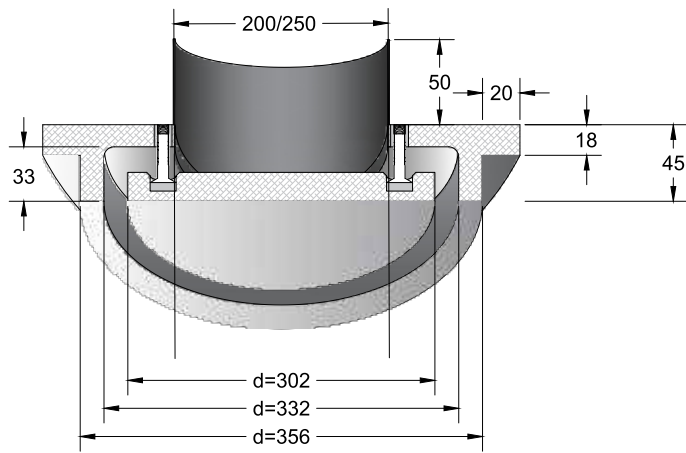


200/250 mm
DIAMETER OF COUPLING SLEEVE

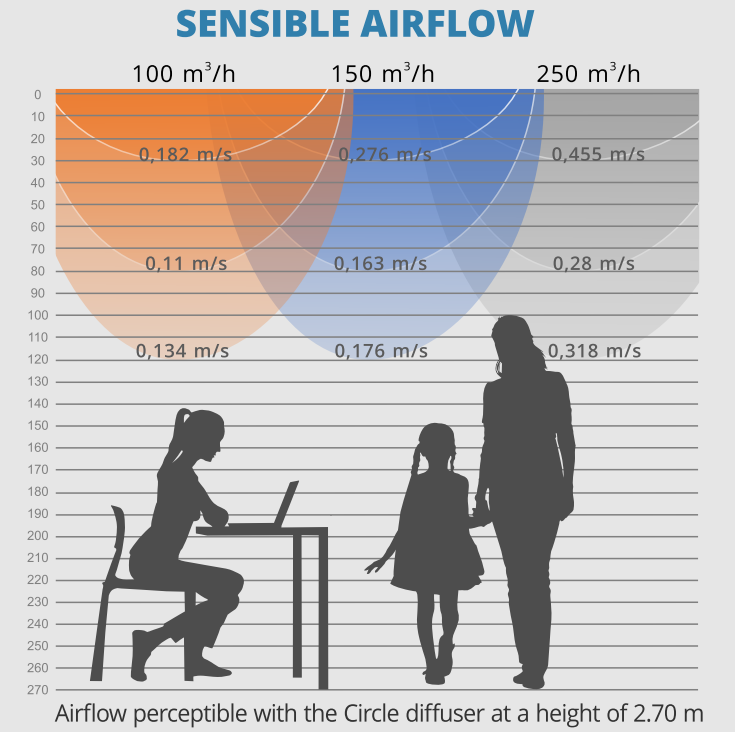
3.90 kg
WEIGHT WITHOUT PACKAGING (NET)

Order code for 200 ø: **CIRCLE 200**
Hole diameter

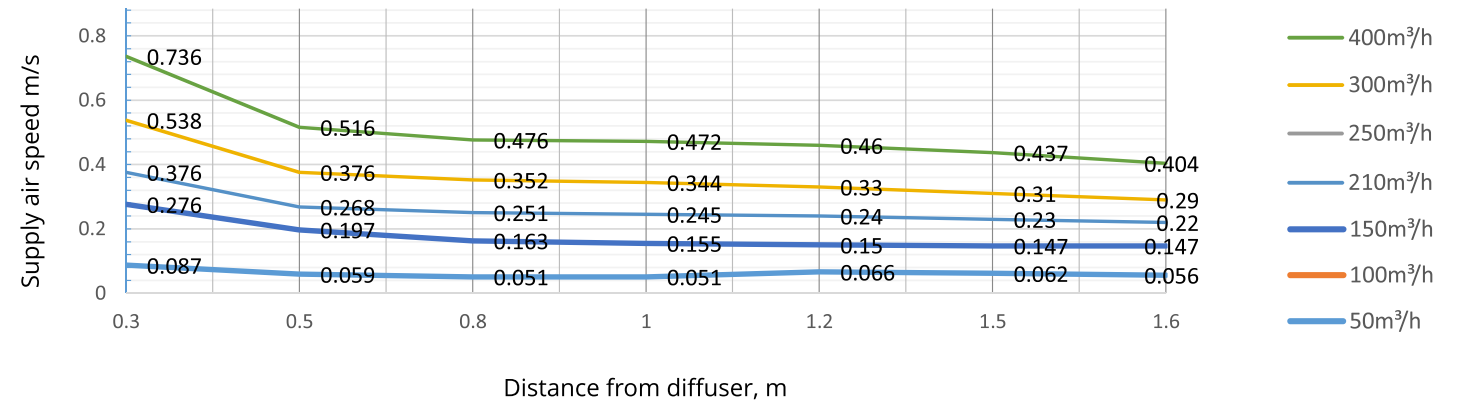
Order code for 250 ø: **CIRCLE 250**
Hole diameter



The round slot CIRCLE diffuser is ideally suited to a variety of room sizes. Can be used for both air supply and air extraction.



Air velocity at distance from diffuser



Airborne noise and resistance, 1 m.

