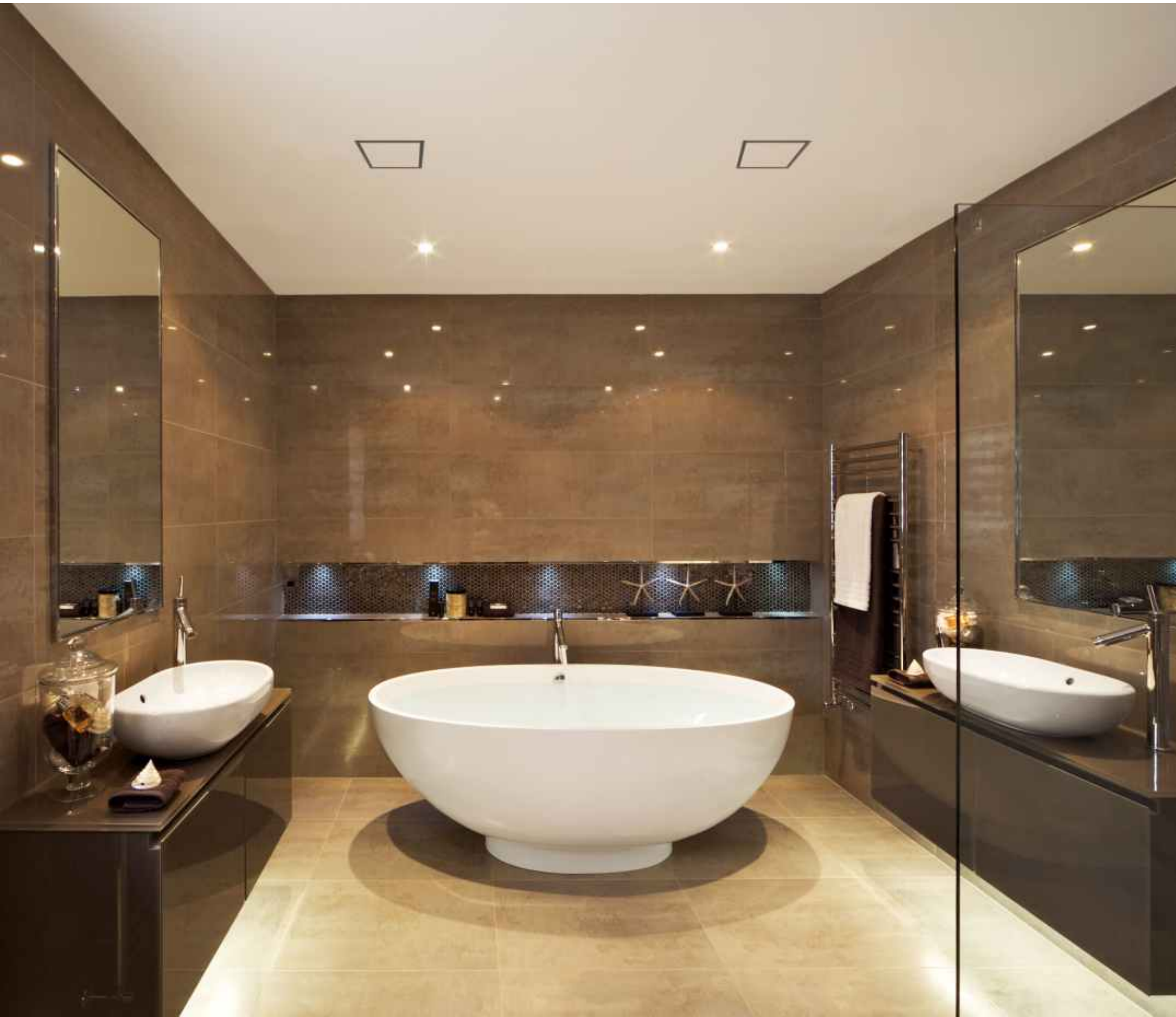
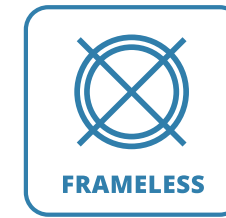




SQUARE



SQUARE diffusers are so much more than just another air distributor. They are minimalist interior elements that will accentuate the precise lines and rigid angles of an interior design. Toss aside the ventilation grille. You will no longer have to think about where to hide it, because from now on, air distributors are an integral part of the interior design.

SQUARE ventilation diffusers are also a practical solution. They are the first diffusers on the market that are mounted at the same time as the walls or ceilings and can be painted with the same paint. In addition, even standard SQUARE models can be adapted to your needs:

- 100mm or 125mm - these are the standard connection nozzle diameters that you can select.
- Industrial strengths magnets - the diffuser cap is supported by magnets that do not lose their strength for 95 years.

Due to their strict shape, multiple such diffusers can be installed in a single room. You can order one of the standard SQUARE diffuser sizes simply by filling out the order form below.

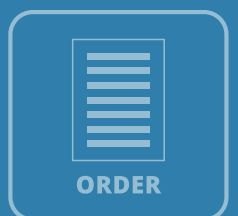
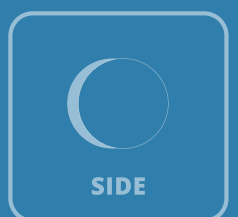
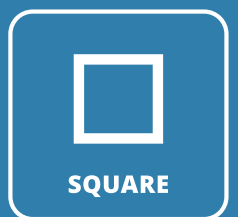
If you are looking for non-standard interior details for your project, or your market requires specific SQUARE diffuser sizes - we can help you.

Fill out the order form below and select a bespoke order. Our consultants will contact you and together we will discuss the fulfilment of your order.

We also invite you to get acquainted in detail with the technical information of SQUARE model diffuser, which you can do by reading through our catalogue.

Finally, to witness how easy it is to install SQUARE diffusers, we invite you to watch our product showcase video.

Ventmann - your choice of air elegance.



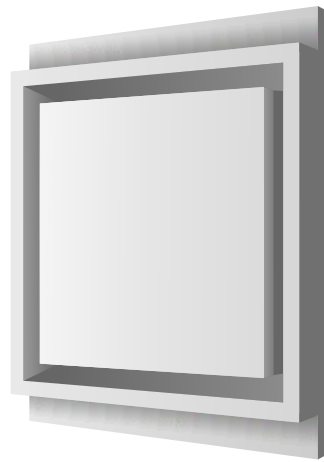
Installation
Video instructions:
 YouTube



Download a digital
version of the catalog
 Download

SQUARE 100/125

SQUARE-SLOT

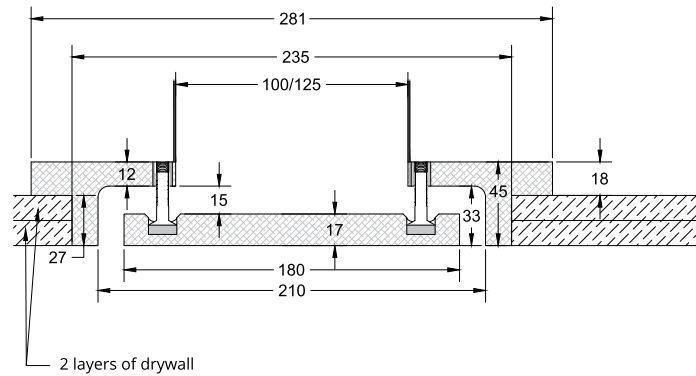
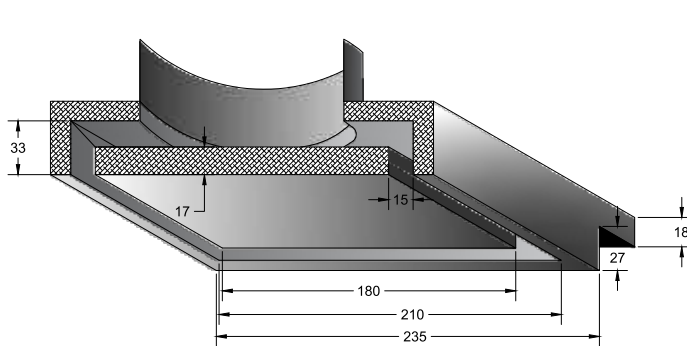


100/125 mm
DIAMETER OF COUPLING SLEEVE

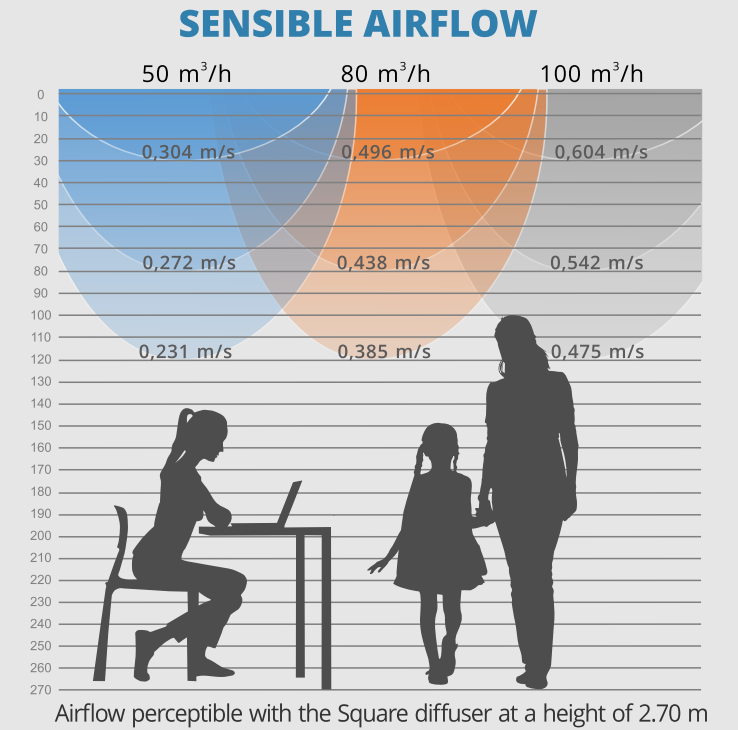
2.40 kg
WEIGHT WITHOUT PACKAGING (NET)

Order code for 100 ø: **SQUARE 100**
Hole diameter

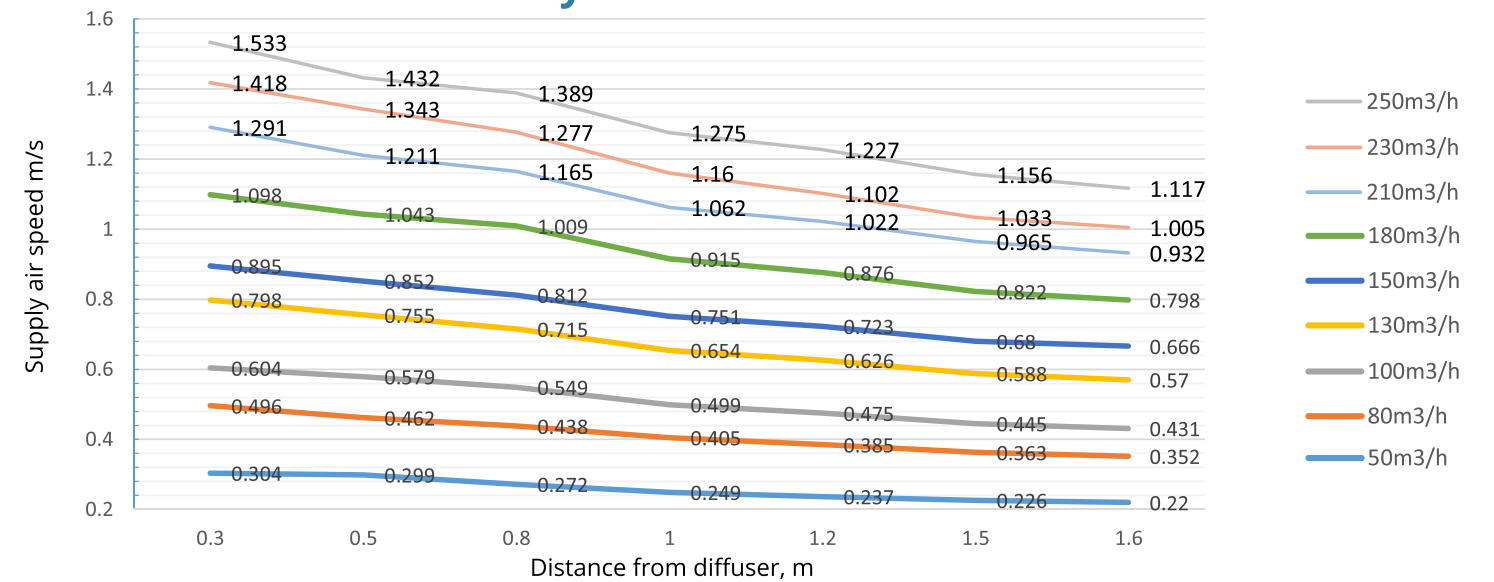
Order code for 125 ø: **SQUARE 125**
Hole diameter



Square-slot frameless diffuser Square is ideal for a variety of room sizes. Can be used for both air supply and air extraction. It is possible to use several units in one room. Can be manufactured with a 100 mm connection pipe.



Air velocity at distance from diffuser



Airborne noise and resistance, 1 m.

