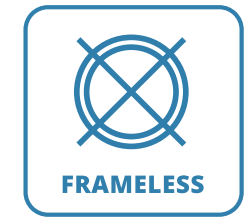




SIDE



The unique design of SIDE diffuser models ensures air distribution on the plane surface on which they are mounted. SIDE duct diffusers are also attractive as interior design solutions - their caps can be mounted in a circular or a square shape. It is also a practical solution. All Ventmann diffusers are the first on the market that can be plastered and painted together with the entire surface. In addition, even standard SIDE models can be adapted to your needs:

- Round or Square diffuser - you can choose the shape of the cap per your or your customer's design requirements.
- 100mm or 125mm - these are the smallest standard connection nozzle diameters you can select.
- 160mm - this is the medium diameter of the standard connection nozzle that you can select.
- 250mm - this is the maximum diameter of the standard connection nozzle that you can select.

You can order these beautiful, sleek, circular; or strict, precise, square SIDE variants right here by filling out the order form below.

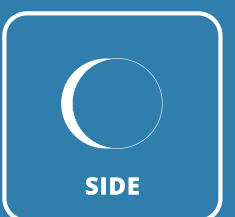
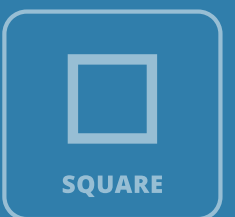
If your project requires specific interior solutions or your market requires specific SIDE diffuser sizes - we can help you.

Fill out the order form below and select a bespoke order. Our consultants will contact you and together we will discuss the fulfilment of your order.

We also invite you to get acquainted in detail with the technical information of SIDE model diffuser, which you can do by reading through our catalogue.

Finally, to witness how easy it is to install SIDE diffusers, we invite you to watch our product showcase video.

Ventmann – your choice of air elegance.



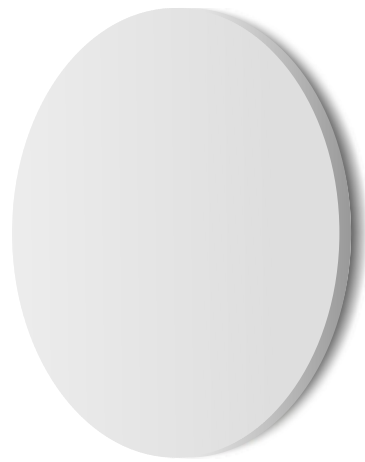
Installation
Video instructions:
 YouTube



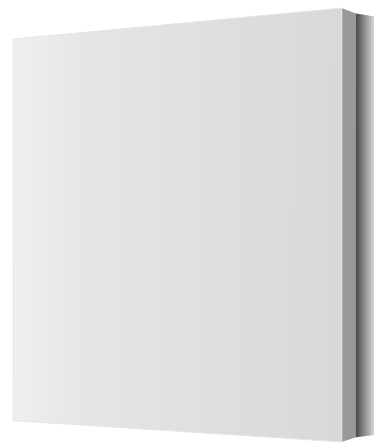
Download a digital
version of the catalog
 Download

SIDE 100/125

WALL DIFFUSER



SIDE ROUND



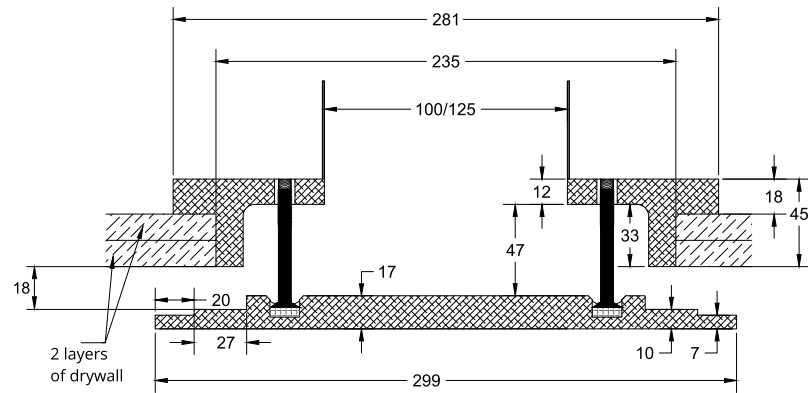
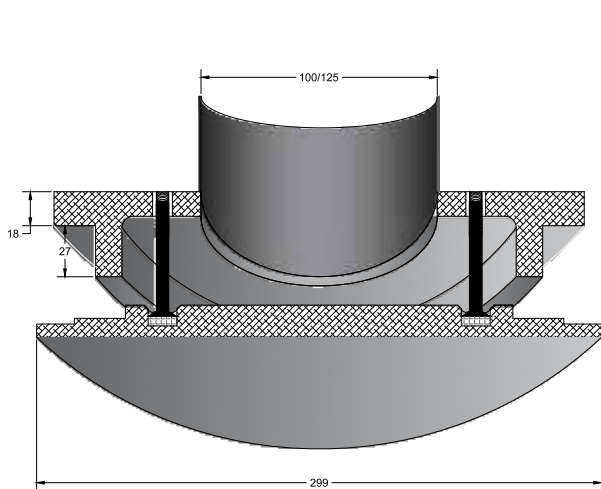
SIDE SQUARE

100/125 mm
DIAMETER OF COUPLING SLEEVE

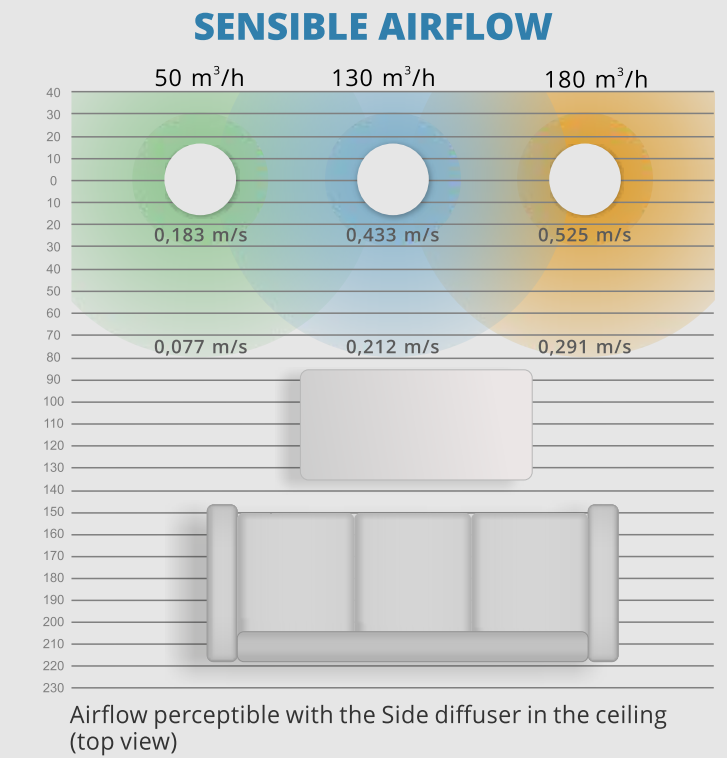
2.735 kg
WEIGHT WITHOUT PACKAGING (NET)

Order code for 100 ø:
SIDE 0 100
Corners Hole diameter
Order code for 125 ø:
SIDE 0 125
Corners Hole diameter

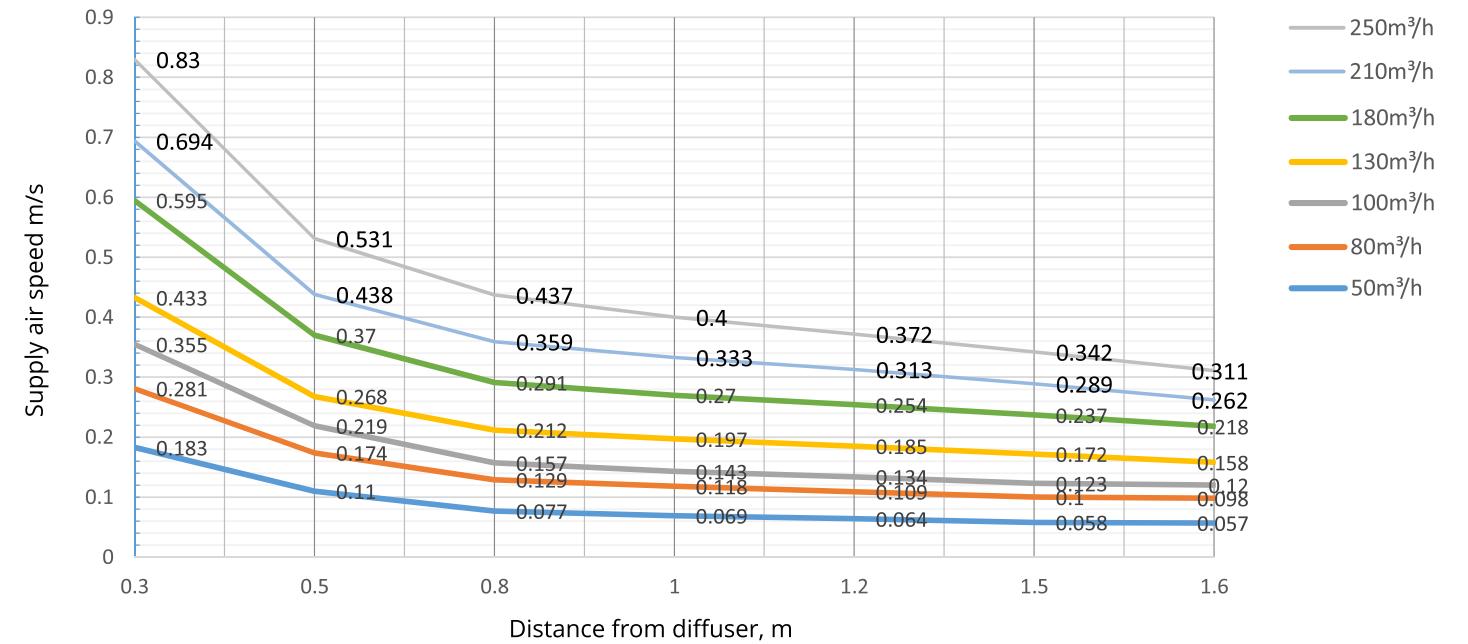
Order code for 100 ø:
SIDE 4 100
Corners Hole diameter
Order code for 125 ø:
SIDE 4 125
Corners Hole diameter



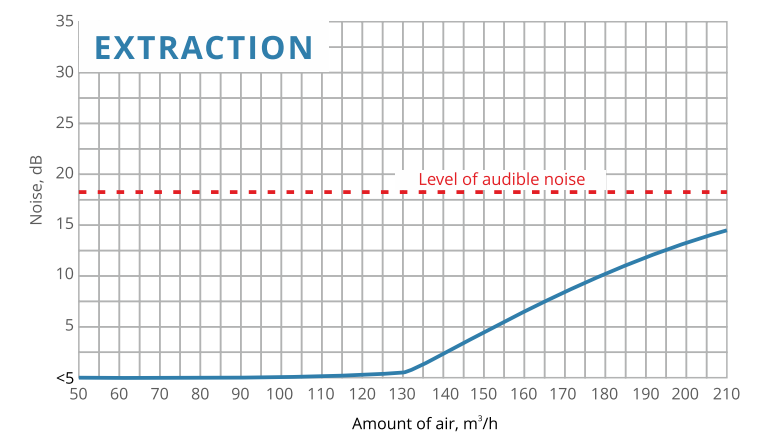
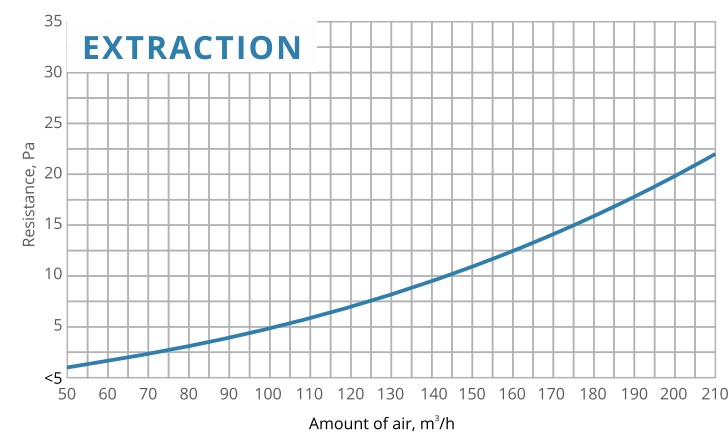
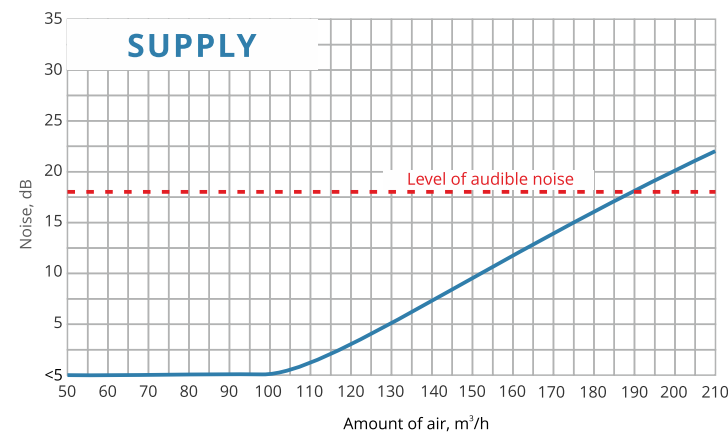
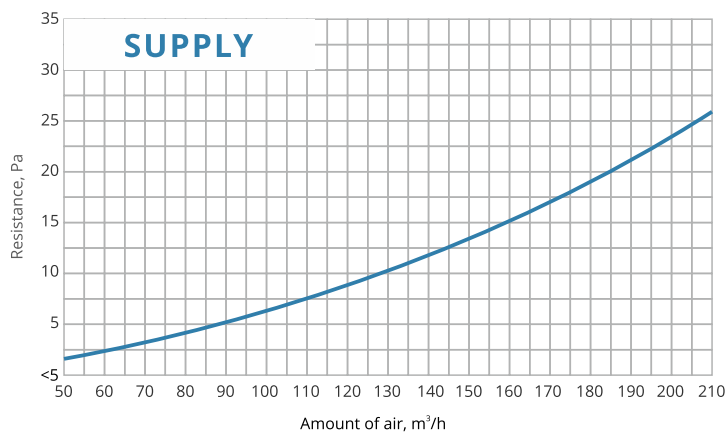
Due to its unique design, this diffuser ensures air diffusion in a horizontal plane when installed in the ceiling or in a vertical plane when installed in a wall. This is why this diffuser can be mounted above the seating, desk without causing discomfort to the occupant.



Air velocity at distance from diffuser

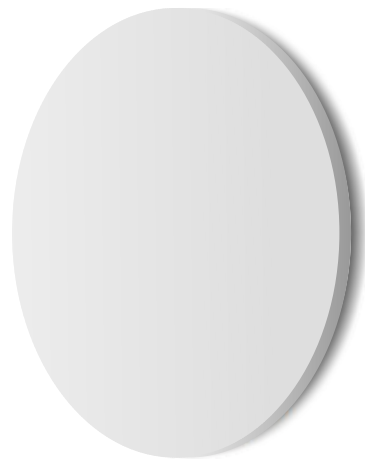


Airborne noise and resistance, 1 m.



SIDE 160

WALL DIFFUSER



SIDE ROUND

Order code:
SIDE 0 160
Corners Hole diameter

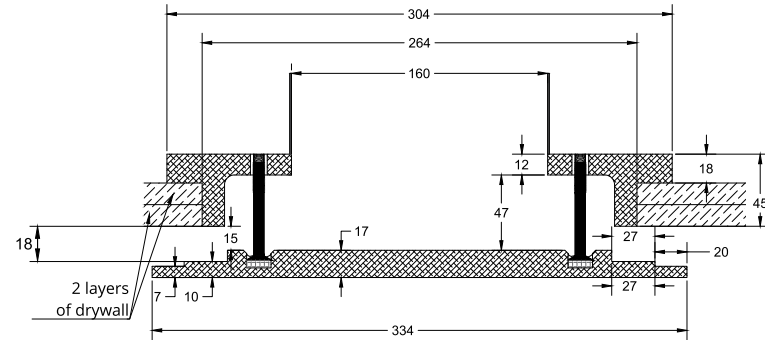
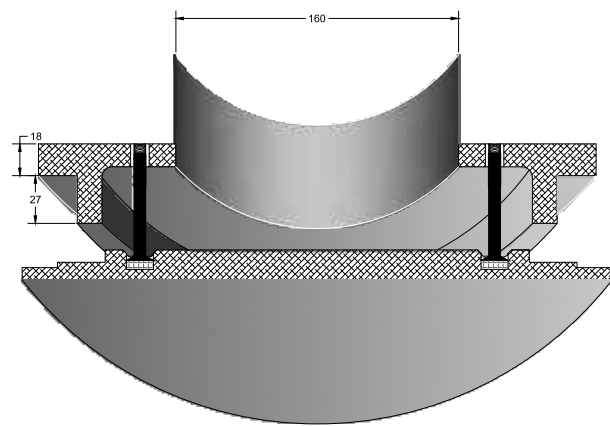


SIDE SQUARE

Order code:
SIDE 4 160
Corners Hole diameter

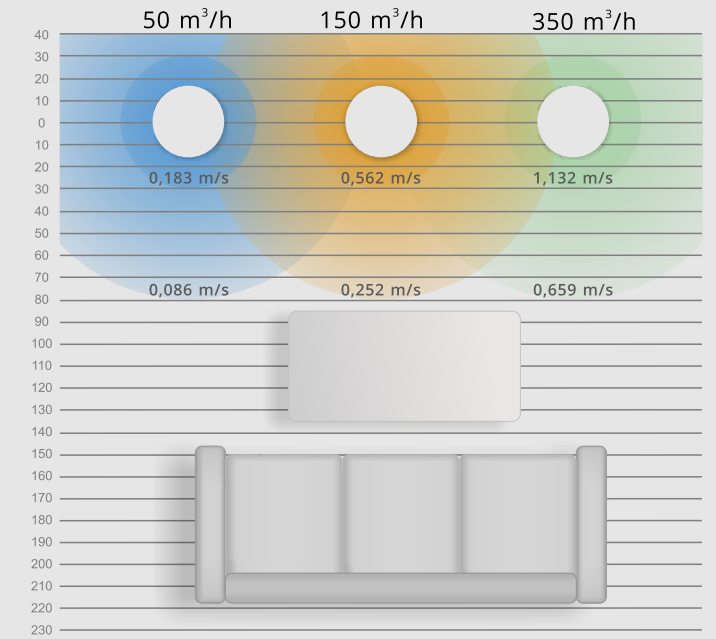
160 mm
DIAMETER OF COUPLING SLEEVE

3.968 kg
WEIGHT WITHOUT PACKAGING (NET)



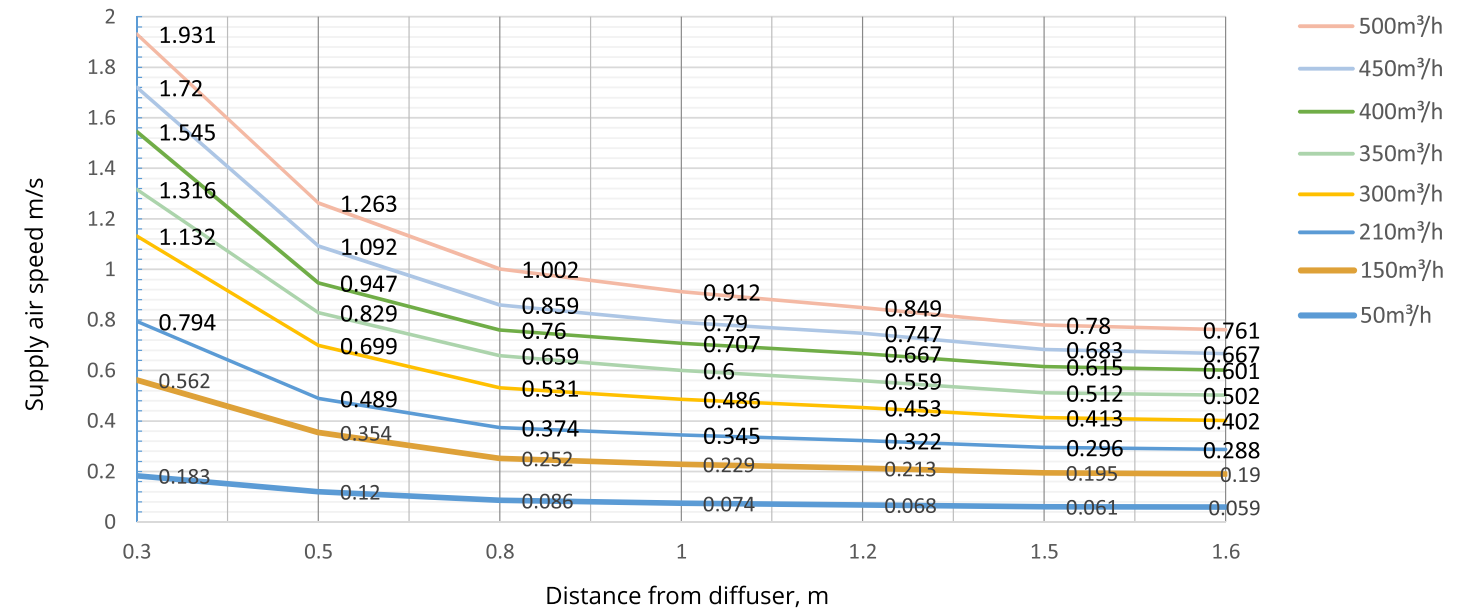
This is a medium-sized Side diffuser. Ideal for both ventilation and air conditioning systems. The diffuser is ideal for supplying and extracting air from the premises. Due to its unique design it can be mounted above seating, desks, etc.

SENSIBLE AIRFLOW

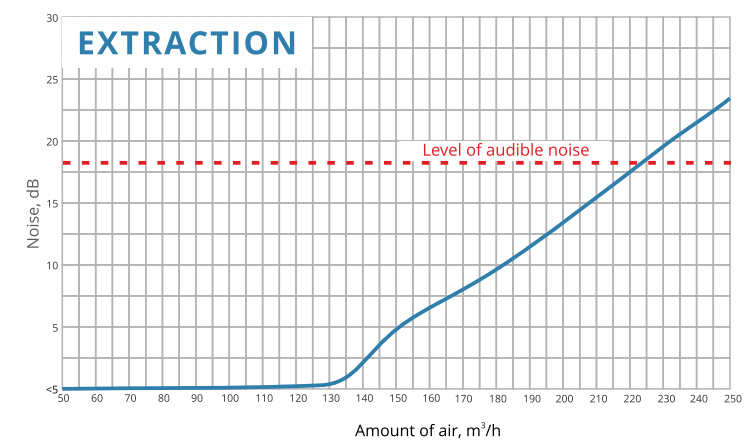
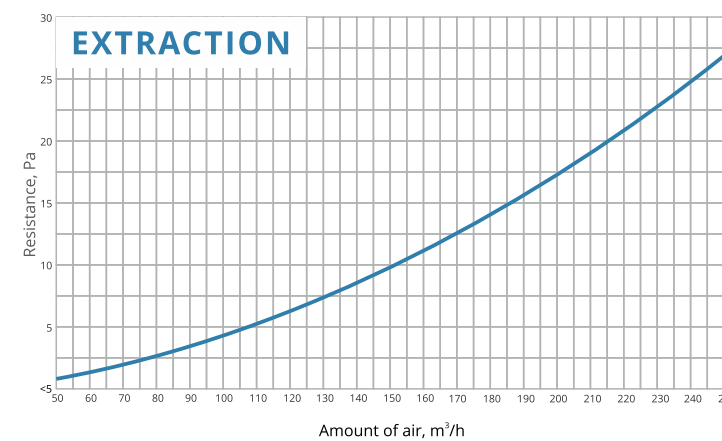
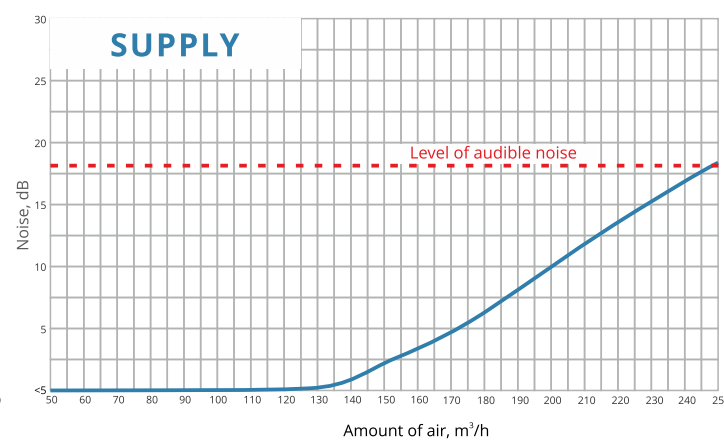
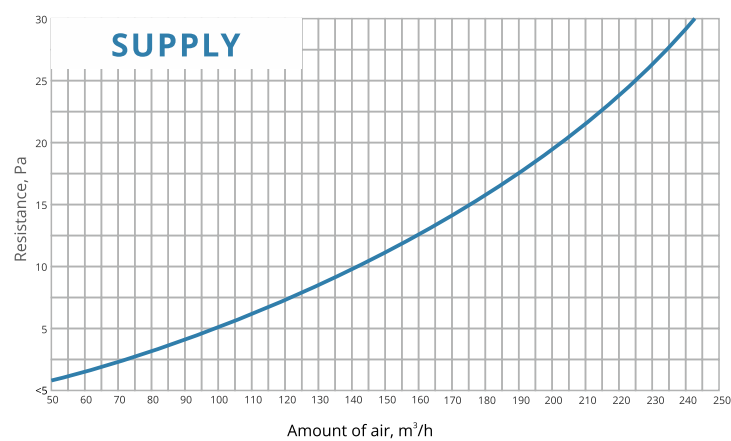


Airflow perceptible with the Side diffuser in the ceiling (top view)

Air velocity at distance from diffuser

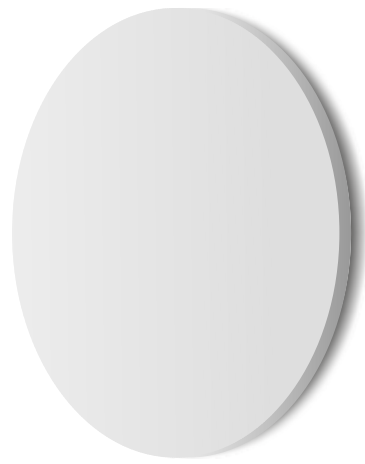


Airborne noise and resistance, 1 m.



SIDE 250

WALL DIFFUSER



SIDE ROUND

Order code:
SIDE 0 250
Corners Hole diameter



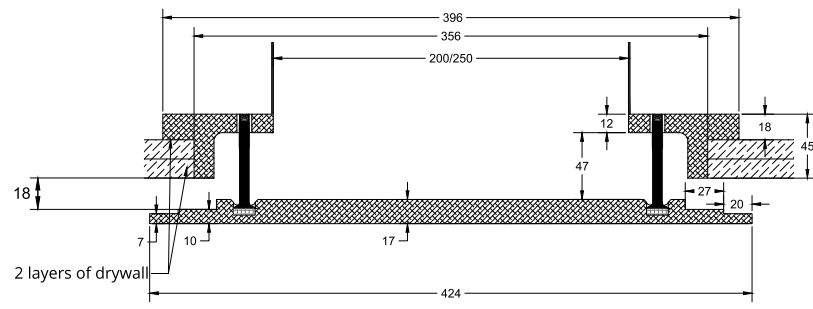
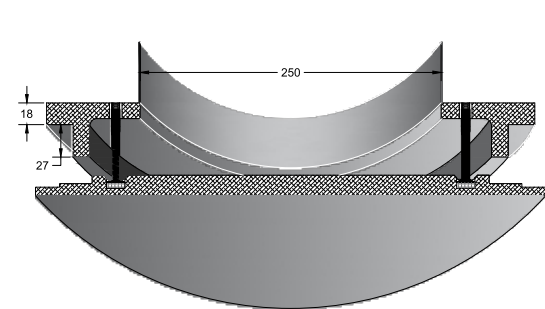
SIDE SQUARE

Order code:
SIDE 4 250
Corners Hole diameter

250 mm
DIAMETER OF COUPLING SLEEVE

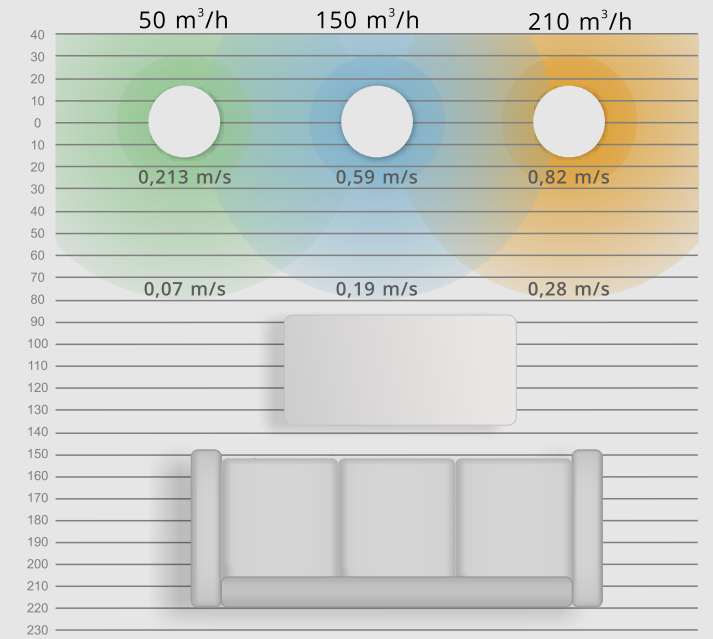
4.8 kg
ROUND MODEL WEIGHT WITHOUT
PACKAGING (NET)

6.2 kg
SQUARE MODEL WEIGHT WITHOUT
PACKAGING (NET)



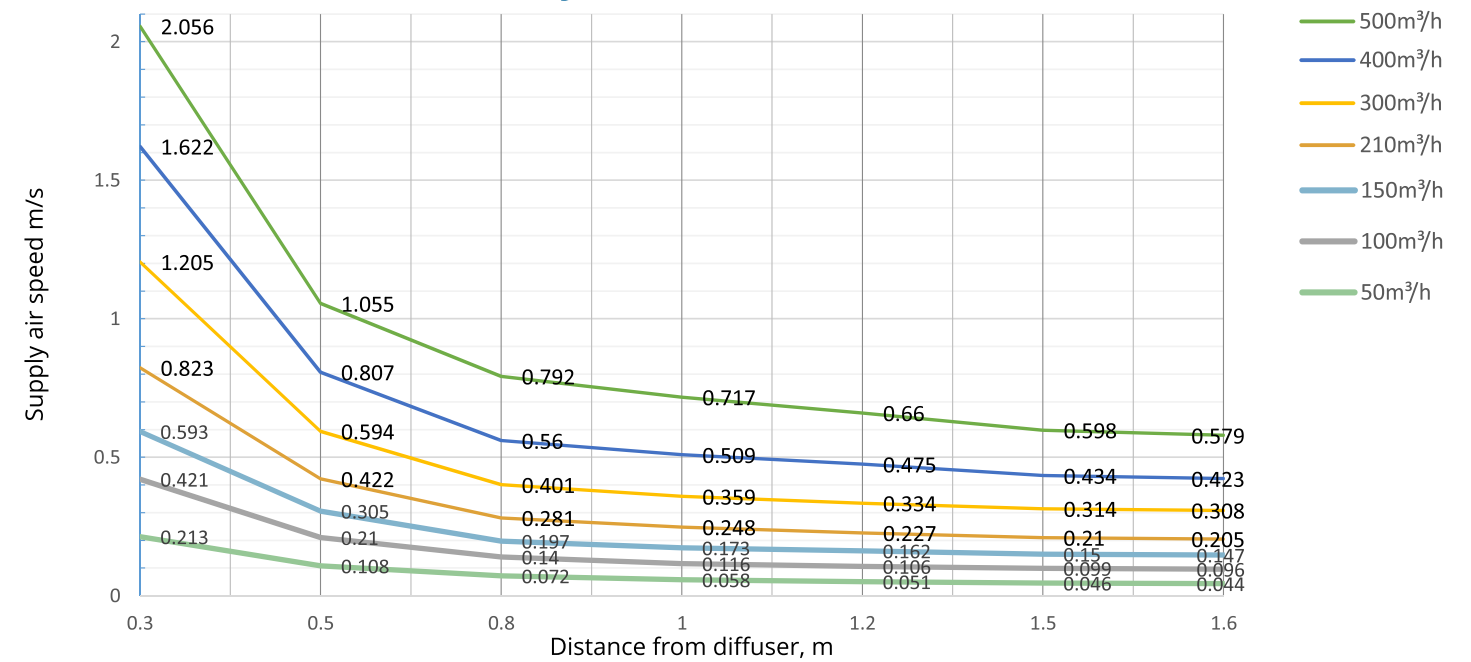
It is the largest Side diffuser. Ideal for both ventilation and air conditioning systems. The diffuser is ideal for supplying and extracting air from the premises. Due to its unique construction it can be mounted above workstations.

SENSIBLE AIRFLOW



Airflow perceptible with the Side diffuser in the ceiling (top view)

Air velocity at distance from diffuser



Airborne noise and resistance, 1 m.

